


REVISION HISTORY

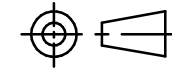
REV	DESCRIPTION	DATE	DRAWN
1			JM



THIS DRAWING IS THE PROPRIETARY PROPERTY OF NU-STAR MATERIAL HANDLING LTD AND MUST NOT BE USED EXCEPT IN CONNECTION WITH OUR WORK NOR IN ANY MANNER DISCLOSED TO ANY THIRD PARTY WITHOUT NU-STAR MATERIAL HANDLING LTD'S WRITTEN CONSENT ALL RIGHTS OF DESIGN AND INVENTION ARE RESERVED.

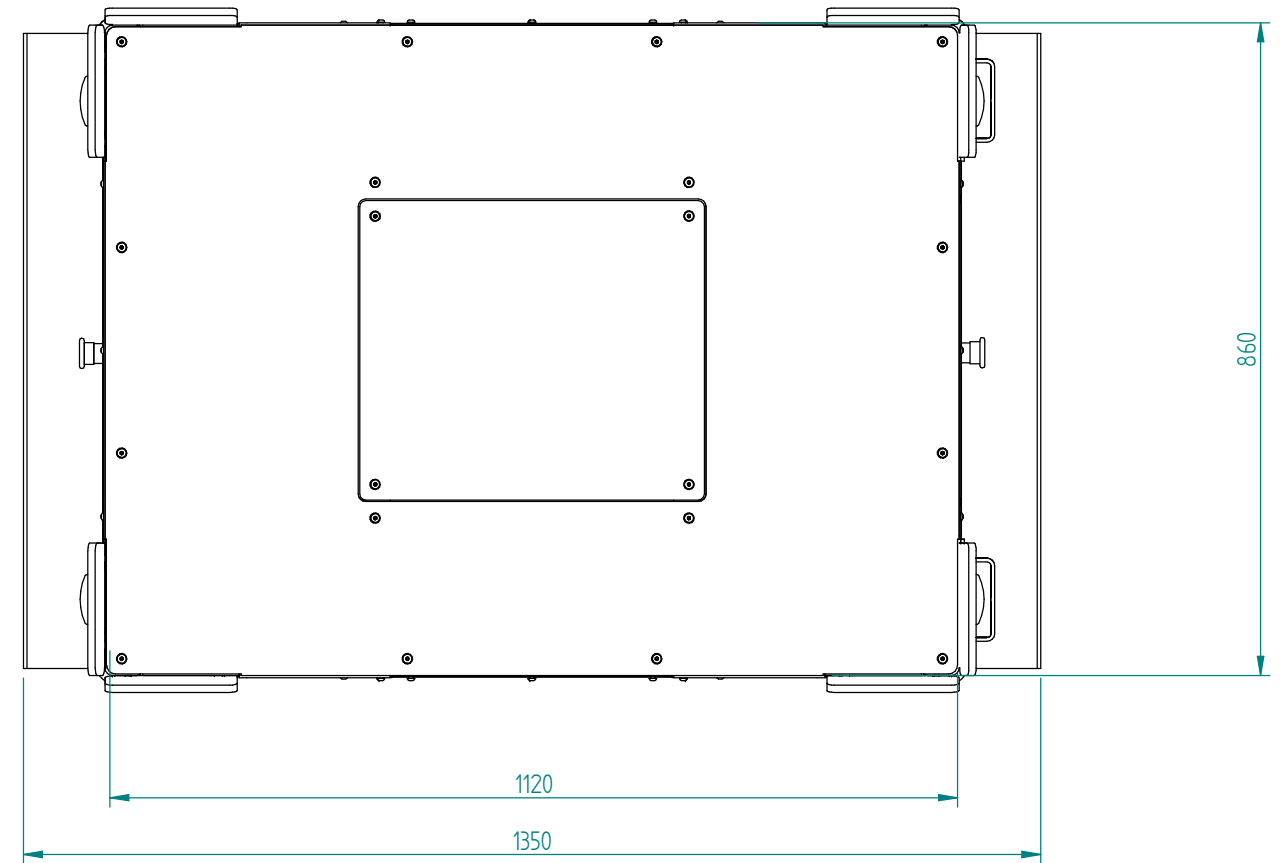
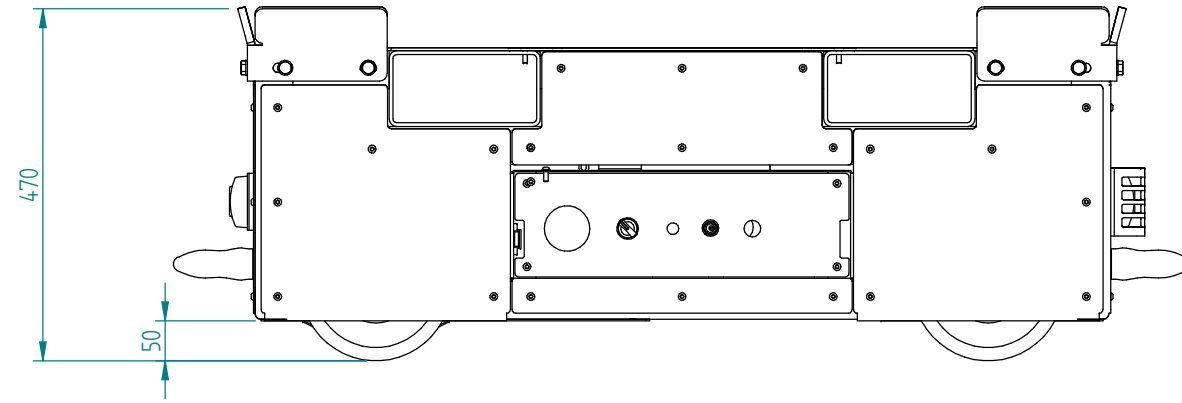
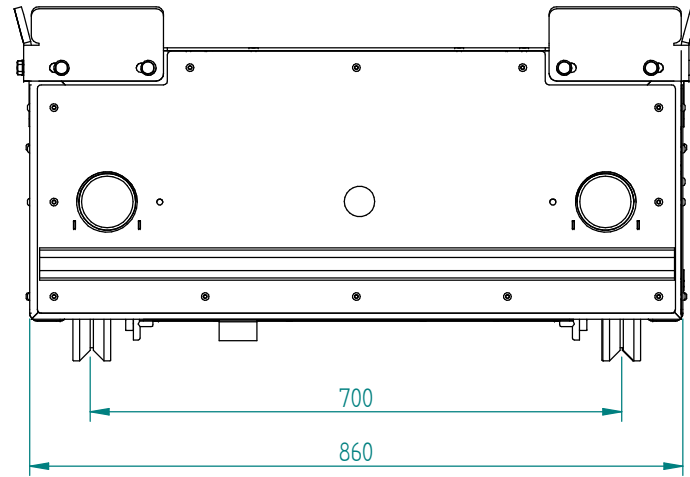
© Nu-Star Material Handling Ltd 2002-2017

Date 24/08/2017	Material -		Sheet 1 of 2	Title Power Trolley
Unless otherwise specified tolerances are : X +/- .30 X.X +/- .10 X.XX +/- .020 Angles +/- 1 deg	Finish -		Issue number 1	Project GA
	Mass -		Size A3	Drawing No. PTC-230817




REVISION HISTORY

REV	DESCRIPTION	DATE	DRAWN
1			JM



THIS DRAWING IS THE PROPRIETARY PROPERTY OF NU-STAR MATERIAL HANDLING LTD AND MUST NOT BE USED EXCEPT IN CONNECTION WITH OUR WORK NOR IN ANY MANNER DISCLOSED TO ANY THIRD PARTY WITHOUT NU-STAR MATERIAL HANDLING LTD'S WRITTEN CONSENT ALL RIGHTS OF DESIGN AND INVENTION ARE RESERVED.

© Nu-Star Material Handling Ltd 2002-2017

Date 24/08/2017	Material -		Sheet 2 of 2	Title PTC
Unless otherwise specified tolerances are : X +/- .30 X.X +/- .10 X.XX +/- .020 Angles +/- 1 deg	Finish -		Issue number 1	Project GA
	Mass -		Size A3	Drawing No. PTC-230817