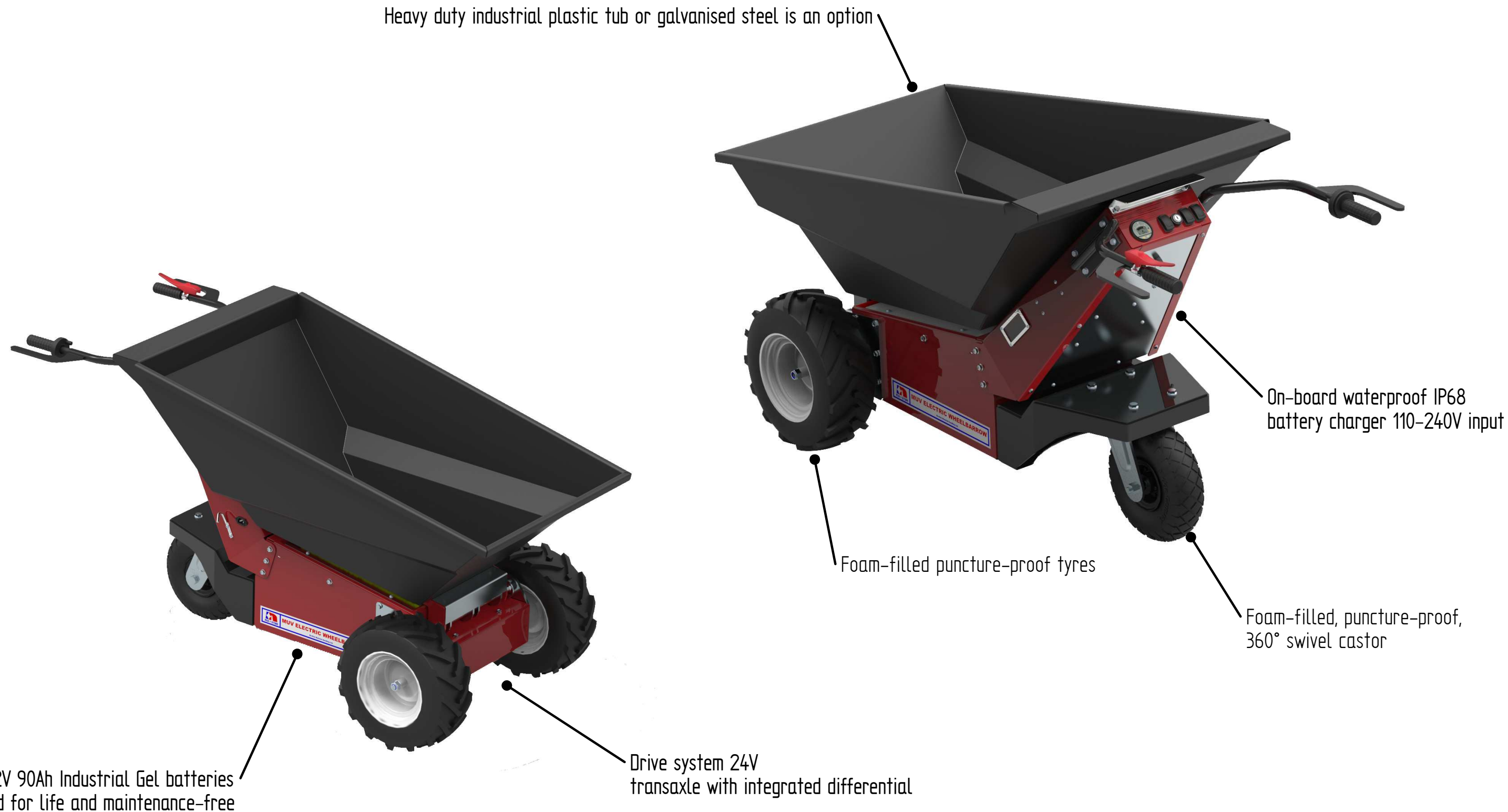


MUV Electric Wheelbarrow


350kg/230Litre Capacity

Heavy duty industrial plastic tub or galvanised steel is an option

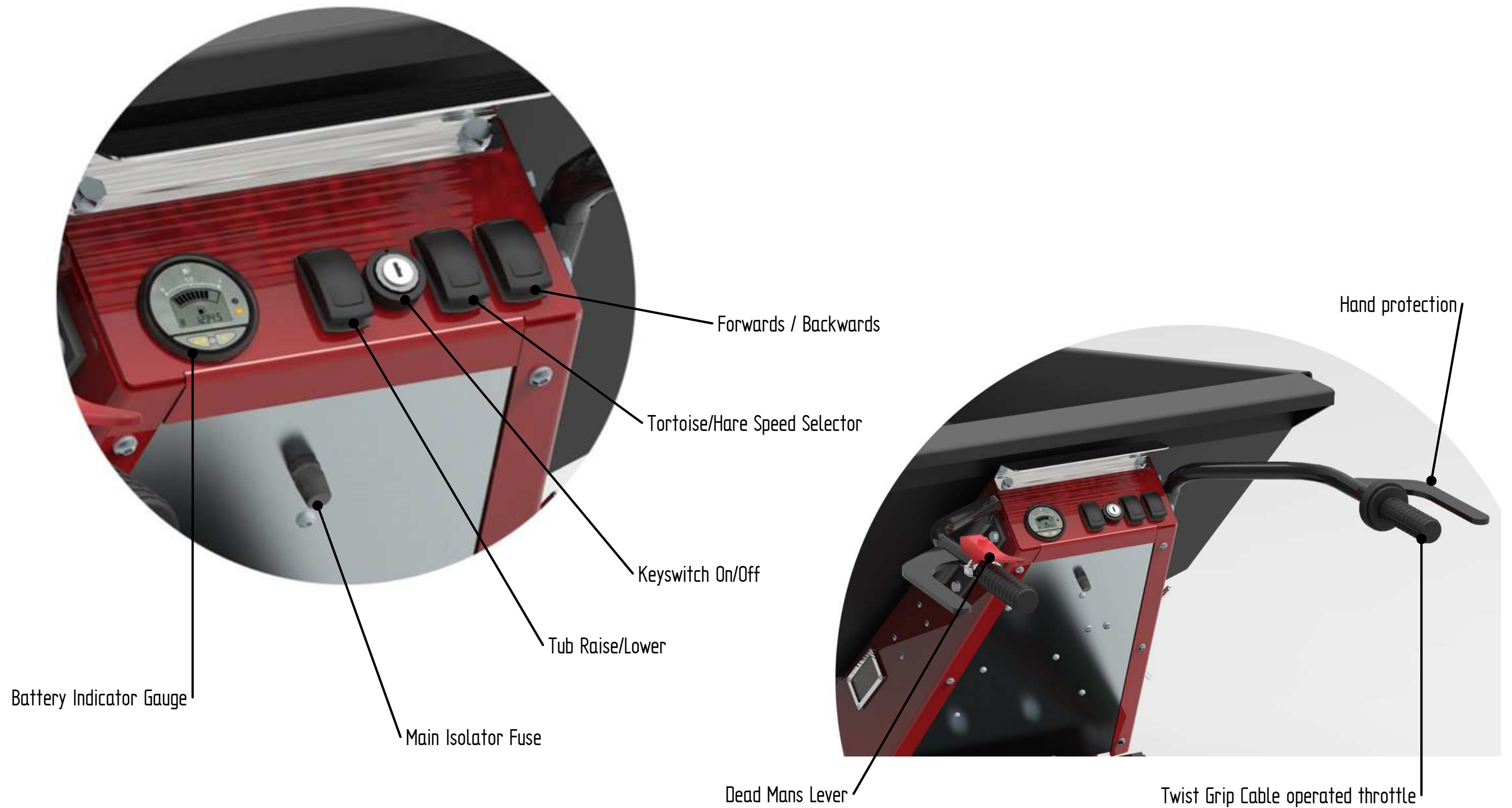


THIS DRAWING IS THE PROPRIETARY PROPERTY OF NU-STAR MATERIAL HANDLING LTD AND MUST NOT BE USED EXCEPT IN CONNECTION WITH OUR WORK NOR IN ANY MANNER DISCLOSED TO ANY THIRD PARTY WITHOUT NU-STAR MATERIAL HANDLING LTD'S WRITTEN CONSENT ALL RIGHTS OF DESIGN AND INVENTION ARE RESERVED.

© Nu-Star Material Handling Ltd 2002-2017


Date 14/12/2016	Material -		Sheet 1 of 7	Title Overview Drawing
Unless otherwise specified tolerances are : X +/- .30 X.X +/- .10 X.XX +/- .020 Angles +/- 1 deg	Finish -		Issue number 1	Project MUV Electric Wheelbarrow
	Mass -		Size A3	Drawing No. MUVW- 141216 - 01

MUV Electric Wheelbarrow Controls



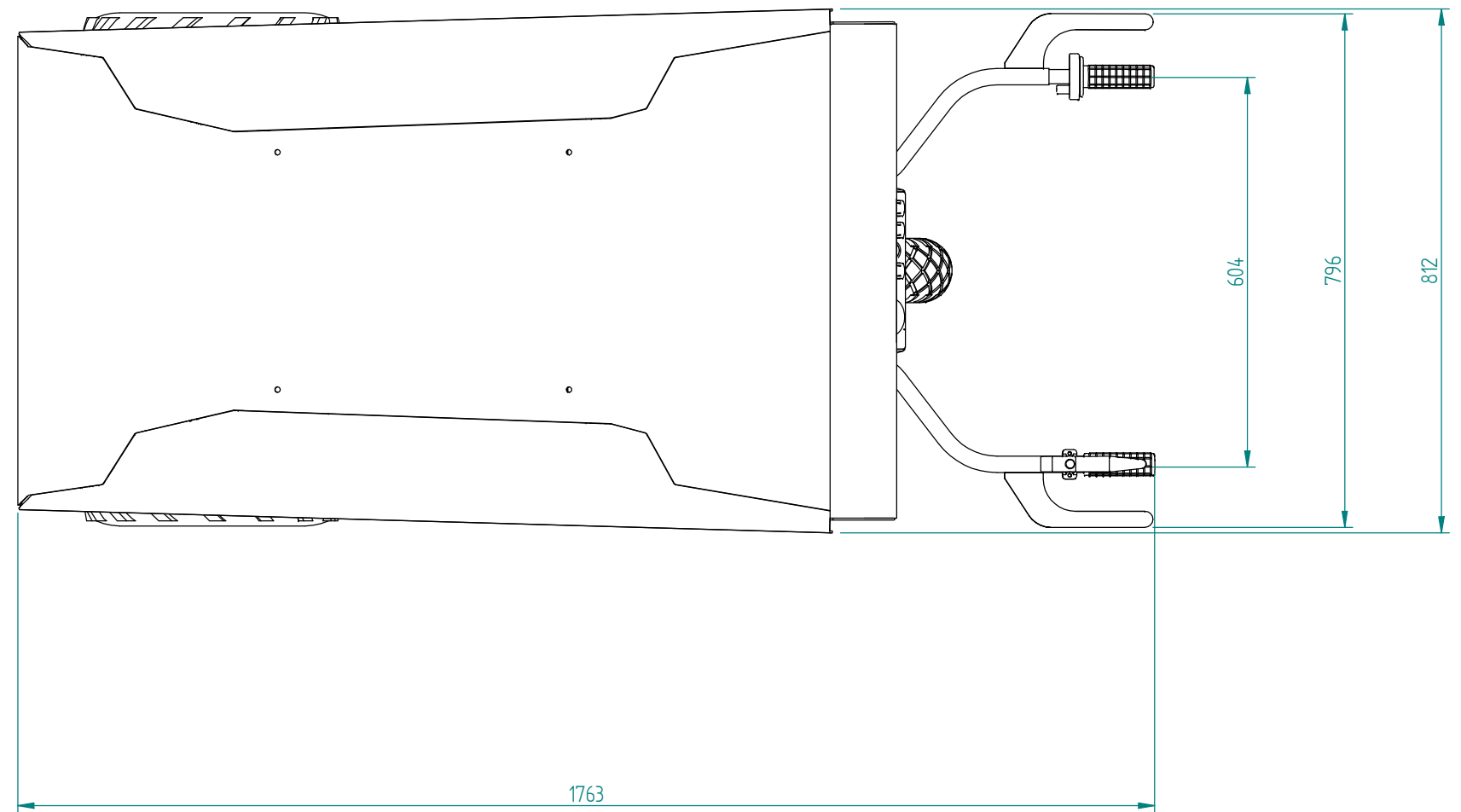
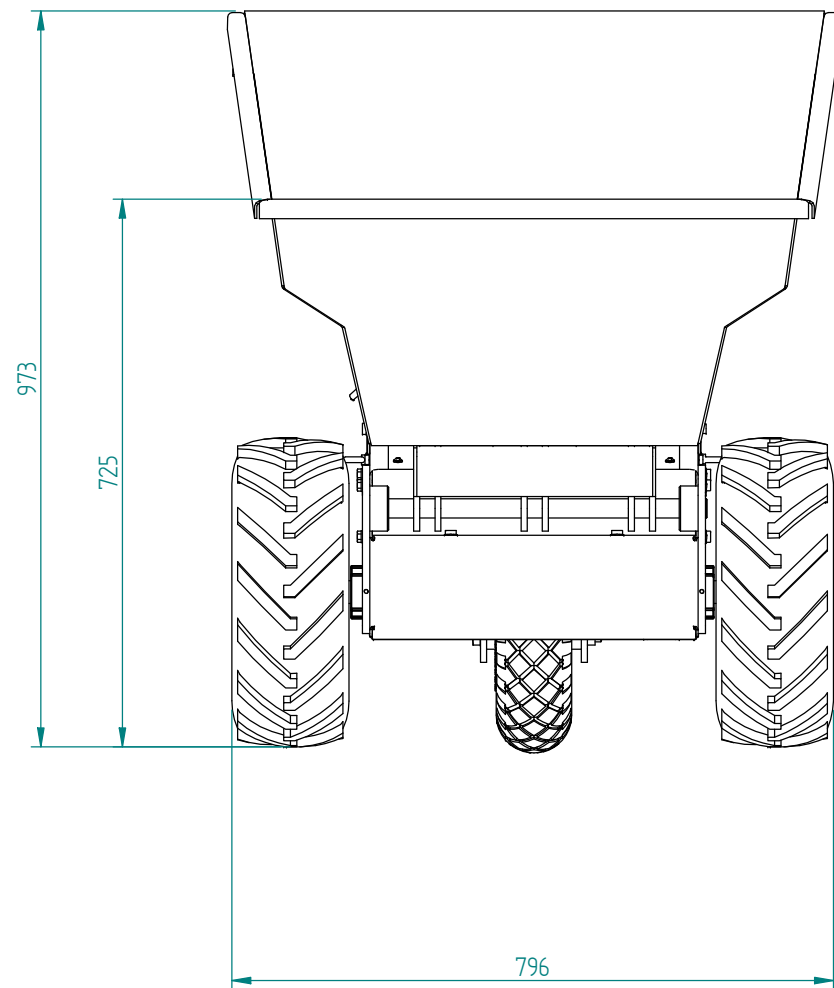
THIS DRAWING IS THE PROPRIETARY PROPERTY OF NU-STAR MATERIAL HANDLING LTD AND MUST NOT BE USED EXCEPT IN CONNECTION WITH OUR WORK NOR IN ANY MANNER DISCLOSED TO ANY THIRD PARTY WITHOUT NU-STAR MATERIAL HANDLING LTD'S WRITTEN CONSENT ALL RIGHTS OF DESIGN AND INVENTION ARE RESERVED.

© Nu-Star Material Handling Ltd 2002-2017

Date 14/12/2016	Material -		Sheet 2 of 7	Title Overview Drawing
Unless otherwise specified tolerances are : X +/- .30 X.X +/- .10 X.XX +/- .020 Angles +/- 1 deg	Finish -		Issue number 1	Project MUV Electric Wheelbarrow
	Mass -		Size A3	Drawing No. MUVW- 141216 - 01


MUV Electric Wheelbarrow

Overall Dimensions



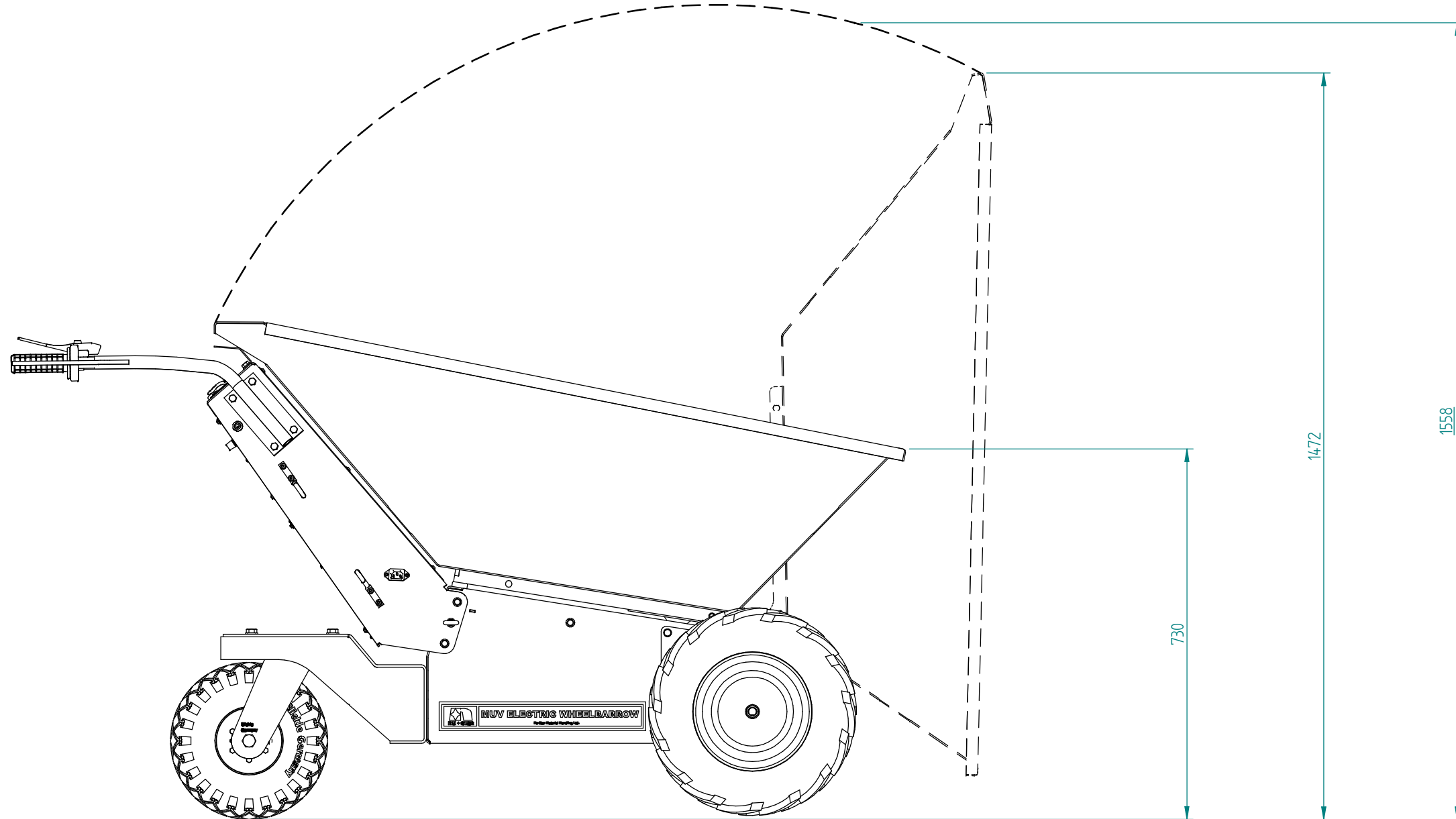
THIS DRAWING IS THE PROPRIETARY PROPERTY OF NU-STAR MATERIAL HANDLING LTD AND MUST NOT BE USED EXCEPT IN CONNECTION WITH OUR WORK NOR IN ANY MANNER DISCLOSED TO ANY THIRD PARTY WITHOUT NU-STAR MATERIAL HANDLING LTD'S WRITTEN CONSENT ALL RIGHTS OF DESIGN AND INVENTION ARE RESERVED.

© Nu-Star Material Handling Ltd 2002-2017

Date 14/12/2016	Material -		Sheet 3 of 7	Title Overview Drawing
Unless otherwise specified tolerances are : X +/- .30 X.X +/- .10 X.XX +/- .020 Angles +/- 1 deg	Finish -		Issue number 1	Project MUV Electric Wheelbarrow
	Mass -		Size A3	Drawing No. MUVW- 141216 - 01


MUV Electric Wheelbarrow

Tub Tipping Ark



THIS DRAWING IS THE PROPRIETARY PROPERTY OF NU-STAR MATERIAL HANDLING LTD AND MUST NOT BE USED EXCEPT IN CONNECTION WITH OUR WORK NOR IN ANY MANNER DISCLOSED TO ANY THIRD PARTY WITHOUT NU-STAR MATERIAL HANDLING LTD'S WRITTEN CONSENT ALL RIGHTS OF DESIGN AND INVENTION ARE RESERVED.

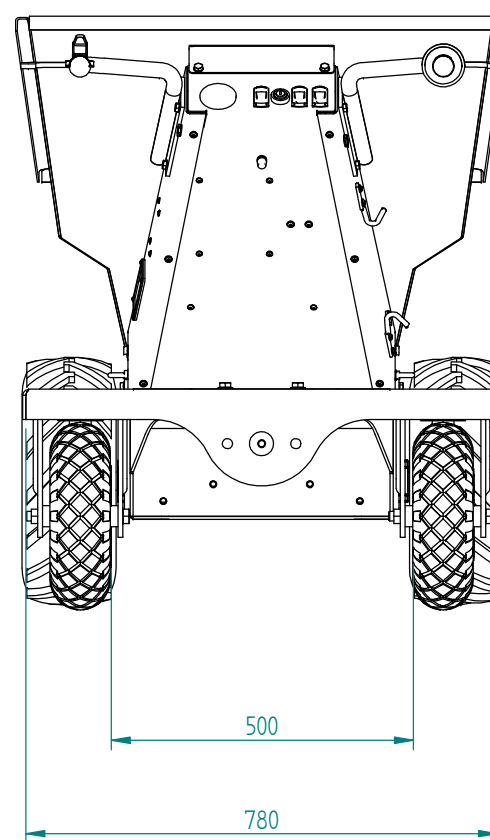
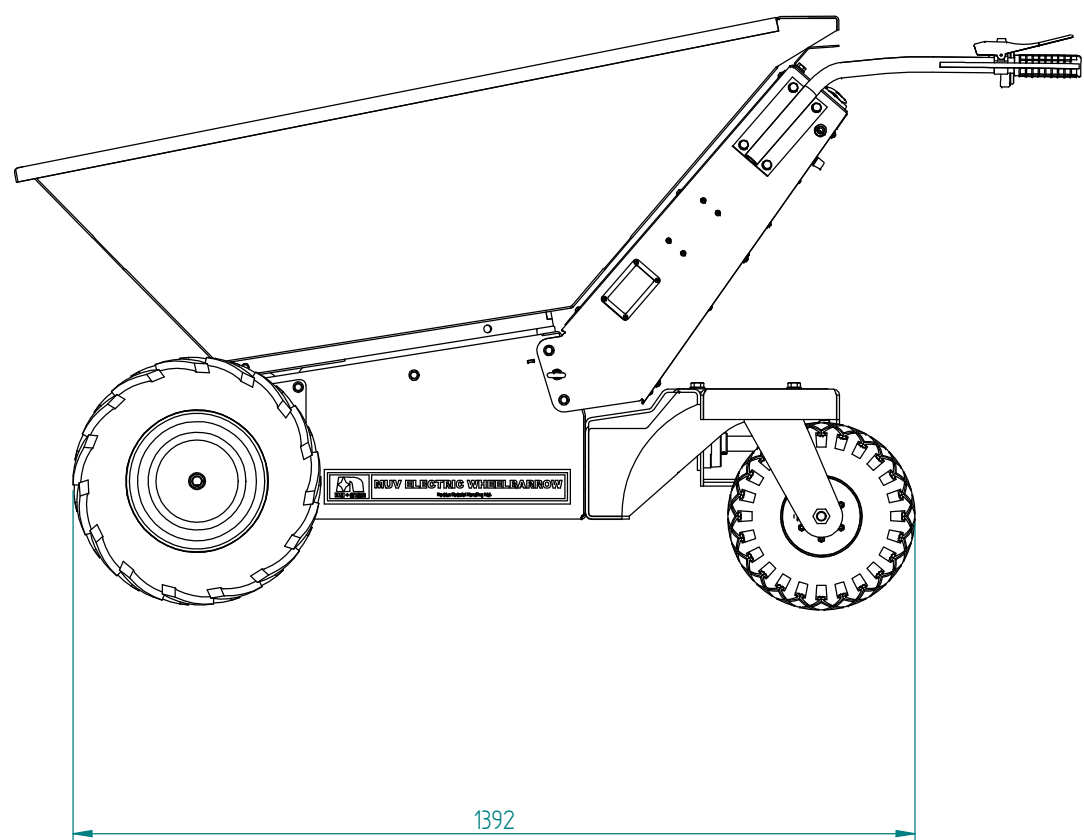
© Nu-Star Material Handling Ltd 2002-2017

Date 14/12/2016	Material -		Sheet 4 of 7	Title Overview Drawing
Unless otherwise specified tolerances are : X +/- .30 X.X +/- .10 X.XX +/- .020 Angles +/- 1 deg	Finish -		Issue number 1	Project MUV Electric Wheelbarrow
	Mass -		Size A3	Drawing No. MUVW- 141216 - 01

MUV Electric Wheelbarrow


Dual Wheel Rear Castor (Option)

The dual-rear castor option is great for travelling across uneven terrain. This option also suits the travel up of ramps into e.g. skips and trailers. Rear castors track in-line with front drive wheels.



THIS DRAWING IS THE PROPRIETARY PROPERTY OF NU-STAR MATERIAL HANDLING LTD AND MUST NOT BE USED EXCEPT IN CONNECTION WITH OUR WORK NOR IN ANY MANNER DISCLOSED TO ANY THIRD PARTY WITHOUT NU-STAR MATERIAL HANDLING LTD'S WRITTEN CONSENT ALL RIGHTS OF DESIGN AND INVENTION ARE RESERVED.

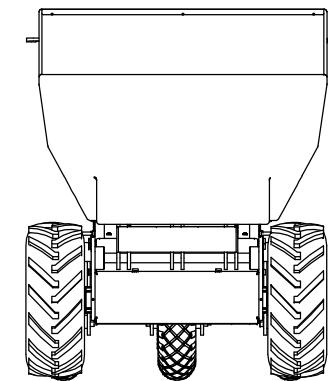
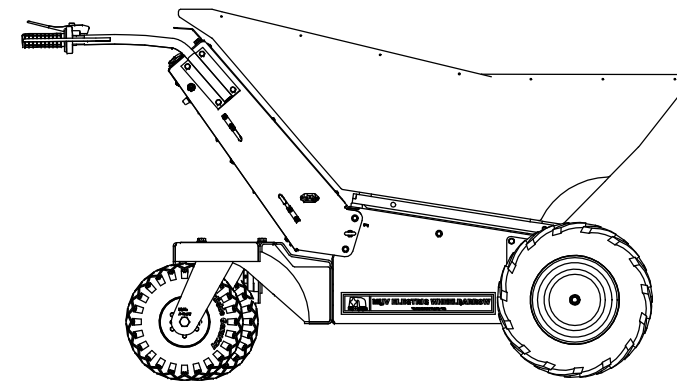
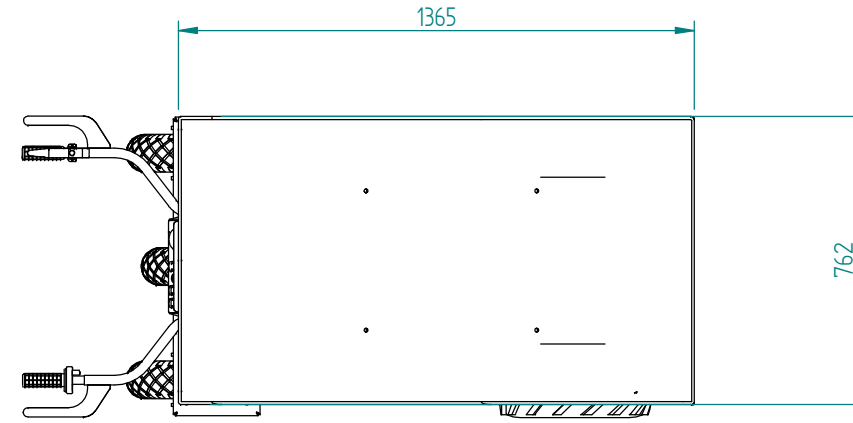
© Nu-Star Material Handling Ltd 2002-2017

Date 14/12/2016	Material -		Sheet 5 of 7	Title Overview Drawing
Unless otherwise specified tolerances are : X +/- .30 X.X +/- .10 X.XX +/- .020 Angles +/- 1 deg	Finish -		Issue number 1	Project MUV Electric Wheelbarrow
	Mass -		Size A3	Drawing No. MUVW- 141216 - 01

MUV Electric Wheelbarrow


Slurry Tub (Option)

Slurry tub for transporting viscous materials such as wet concrete or voluminous materials such as manure & waste straw-bedding. Larger capacity than standard tub.



THIS DRAWING IS THE PROPRIETARY PROPERTY OF NU-STAR MATERIAL HANDLING LTD AND MUST NOT BE USED EXCEPT IN CONNECTION WITH OUR WORK NOR IN ANY MANNER DISCLOSED TO ANY THIRD PARTY WITHOUT NU-STAR MATERIAL HANDLING LTD'S WRITTEN CONSENT ALL RIGHTS OF DESIGN AND INVENTION ARE RESERVED.

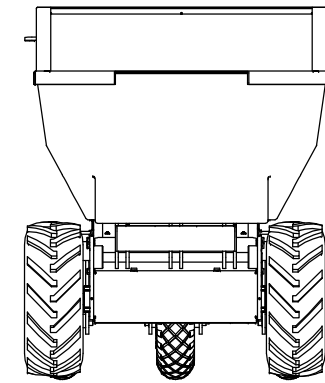
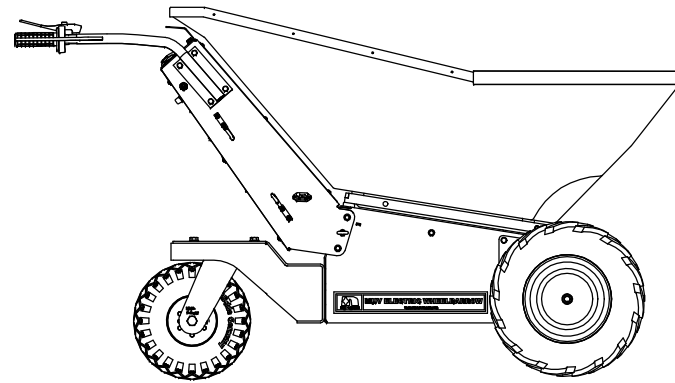
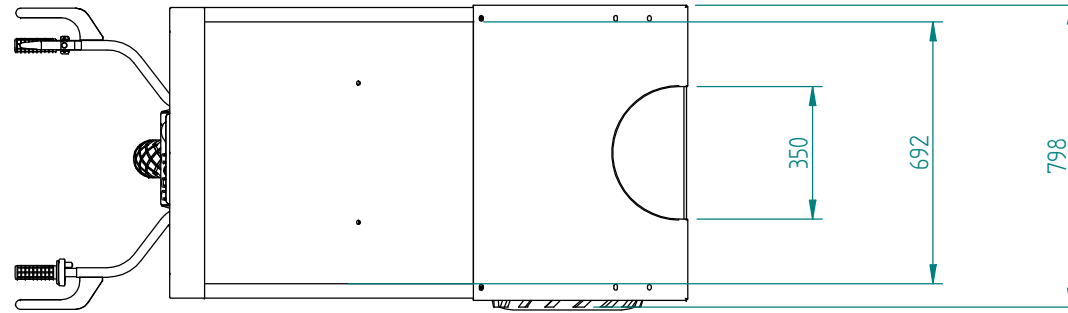
© Nu-Star Material Handling Ltd 2002-2017

Date 14/12/2016	Material -		Sheet 6 of 7	Title Overview Drawing
Unless otherwise specified tolerances are : X +/- .30 X.X +/- .10 X.XX +/- .020 Angles +/- 1 deg	Finish -		Issue number 1	Project MUV Electric Wheelbarrow
	Mass -		Size A3	Drawing No. MUVW- 141216 - 01

MUV Electric Wheelbarrow


Slurry Tub with Concrete Funnel Cap (Option)

The slurry tub with concrete funnel cap is the ideal combination to allow users to transport and tip liquid, runny material such as slurry or concrete in a controlled way & minimise 'splash'.



THIS DRAWING IS THE PROPRIETARY PROPERTY OF NU-STAR MATERIAL HANDLING LTD AND MUST NOT BE USED EXCEPT IN CONNECTION WITH OUR WORK NOR IN ANY MANNER DISCLOSED TO ANY THIRD PARTY WITHOUT NU-STAR MATERIAL HANDLING LTD'S WRITTEN CONSENT ALL RIGHTS OF DESIGN AND INVENTION ARE RESERVED.

© Nu-Star Material Handling Ltd 2002-2017

Date 14/12/2016	Material -		Sheet 7 of 7	Title Overview Drawing
Unless otherwise specified tolerances are : X +/- .30 X.X +/- .10 X.XX +/- .020 Angles +/- 1 deg	Finish -		Issue number 1	Project MUV Electric Wheelbarrow
	Mass -		Size A3	Drawing No. MUVW- 141216 - 01