



Regd. Design No's: 3017473, 3017474, 3017475, 3017476, 3017477
 International Patents Granted: Australia: 2005256869, Canada: 2,572,387, EU: 05755585.6 USA: 11/631,048

THIS DRAWING IS THE PROPRIETARY PROPERTY OF NU-STAR MATERIAL HANDLING LTD AND MUST NOT BE USED EXCEPT IN CONNECTION WITH OUR WORK NOR IN ANY MANNER DISCLOSED TO ANY THIRD PARTY WITHOUT NU-STAR MATERIAL HANDLING LTD'S WRITTEN CONSENT ALL RIGHTS OF DESIGN AND INVENTION ARE RESERVED.

© Nu-Star Material Handling Ltd 2002-2016

Unless otherwise specified tolerances are :
 X +/- 1.0
 .X +/- .5
 .XX +/- .1
 Angles +/- 1 deg

Finish
NA

Material
NA

Date
27/11/2015

Scale



Sheet 1 of 3

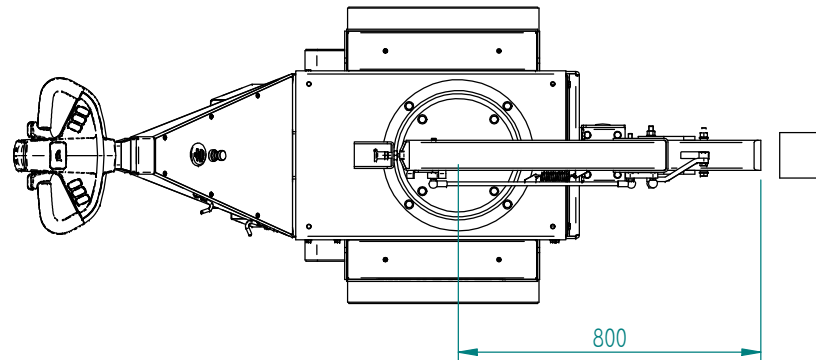
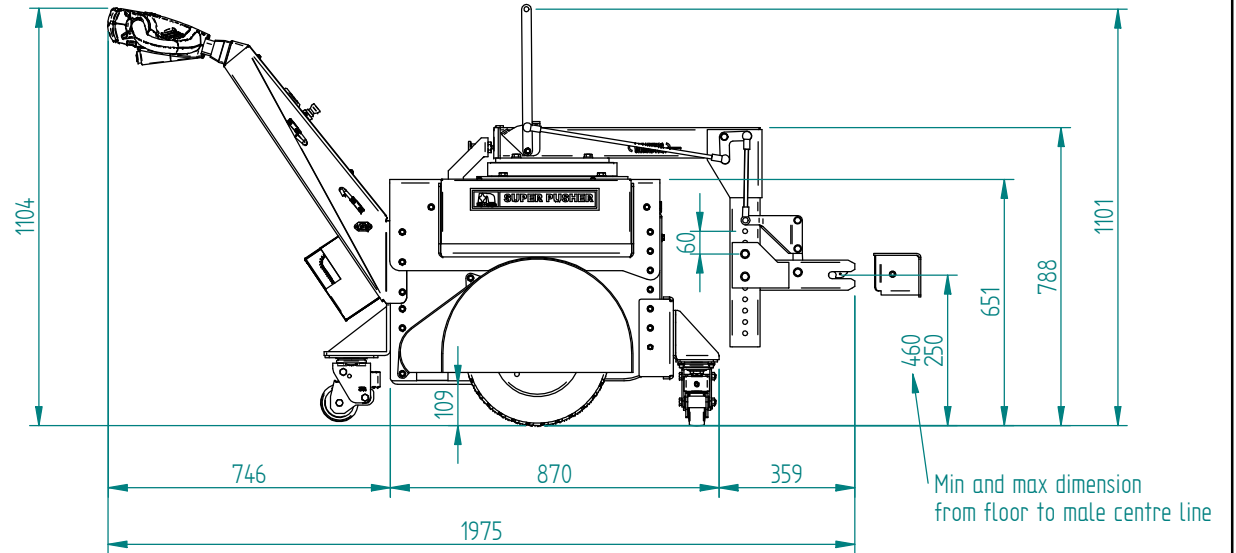
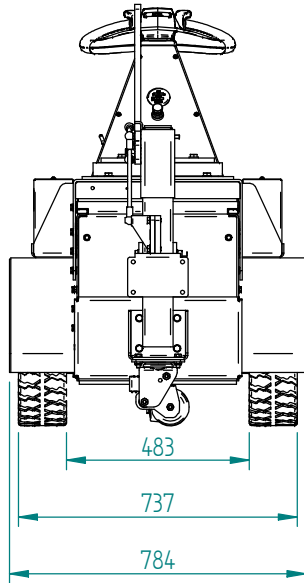
Issue number
1

Size
A4

Title
Heavy Duty Steering Arm RR

Project
HD Super Pusher - 15 inch

Drawing No.
SPSA-001-27115-01-A4



Regd. Design No's: 3017473, 3017474, 3017475, 3017476, 3017477

International Patents Granted: Australia: 2005256869, Canada: 2,572,387, EU: 05755585.6 USA: 11/631,048

THIS DRAWING IS THE PROPRIETARY PROPERTY OF NU-STAR MATERIAL HANDLING LTD AND MUST NOT BE USED EXCEPT IN CONNECTION WITH OUR WORK NOR IN ANY MANNER DISCLOSED TO ANY THIRD PARTY WITHOUT NU-STAR MATERIAL HANDLING LTD'S WRITTEN CONSENT ALL RIGHTS OF DESIGN AND INVENTION ARE RESERVED.

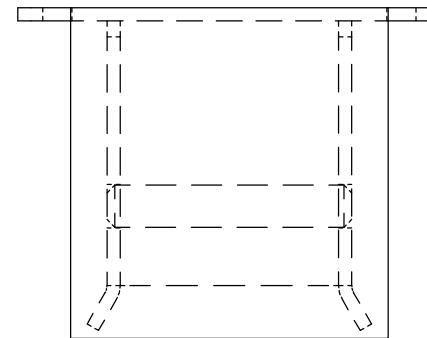
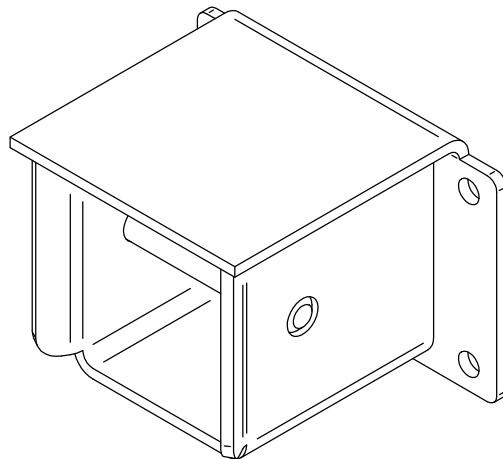
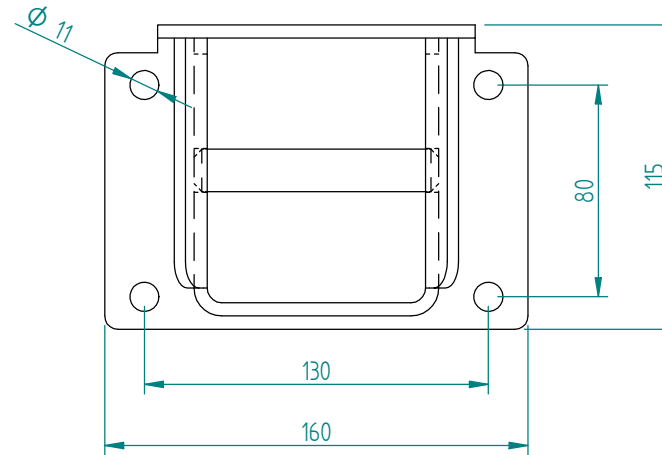
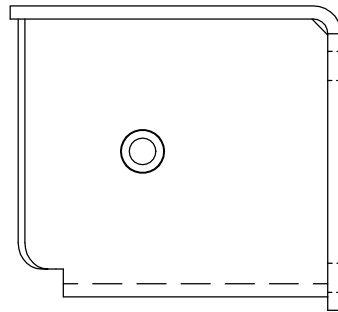
© Nu-Star Material Handling Ltd 2002-2016

Unless otherwise specified
tolerances are :
X +/- 1.0
.X +/- .5
.XX +/- .1
Angles +/- 1 deg

Finish NA	Date 27/11/2015
Material NA	Scale



Sheet 2 of 3	Title Heavy Duty Steering Arm RR
Issue number 1	Project HD Super Pusher - 15 inch
Size A4	Drawing No. SPSA-001-27115-01-A4




Regd. Design No's: 3017473, 3017474, 3017475, 3017476, 3017477
 International Patents Granted: Australia: 2005256869, Canada: 2,572,387, EU: 05755585.6 USA: 11/631,048

THIS DRAWING IS THE PROPRIETARY PROPERTY OF NU-STAR MATERIAL HANDLING LTD AND MUST NOT BE USED EXCEPT IN CONNECTION WITH OUR WORK NOR IN ANY MANNER DISCLOSED TO ANY THIRD PARTY WITHOUT NU-STAR MATERIAL HANDLING LTD'S WRITTEN CONSENT ALL RIGHTS OF DESIGN AND INVENTION ARE RESERVED.

© Nu-Star Material Handling Ltd 2002-2016

Unless otherwise specified tolerances are :
 X +/- 1.0
 .X +/- .5
 .XX +/- .1
 Angles +/- 1 deg

Finish NA	Date 27/11/2015
Material NA	Scale

	Sheet 3 of 3	Title Heavy Duty Steering Arm RR
	Issue number 1	Project HD Super Pusher - 15 inch
	Size A4	Drawing No. SPSA-001-27115-01-A4